



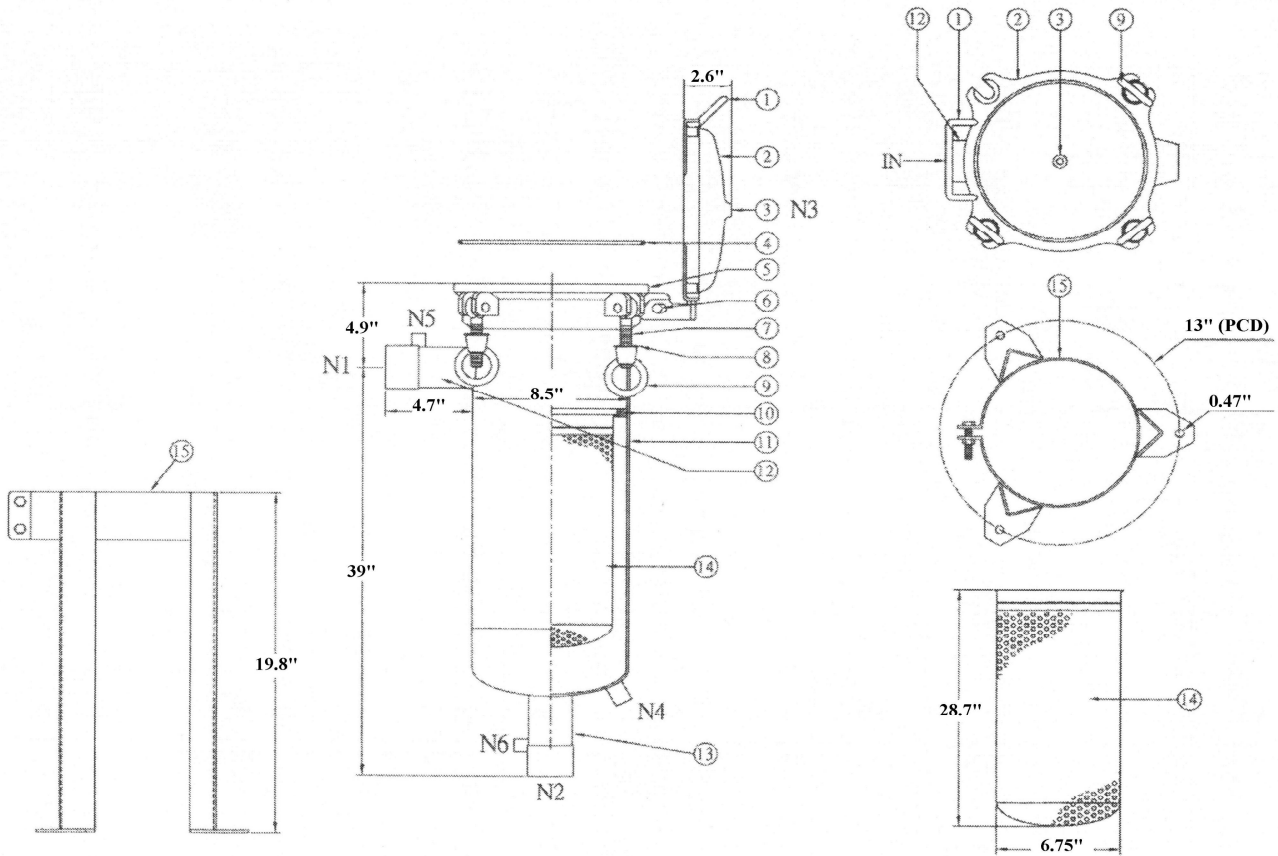
Environmental World Products LLC

Commercial and Industrial RO Components

BFH Series - BFH-2

HIGH PRESSURE #2 FILTER BAG HOUSING

Material	304SST standard / 316SST and 316LSST option
Connections	2"NPTF standard / Flange option
O-ring	EPDM standard / VITON option
Finish	Electro-Polished
Operating Pressure	142PSI
Maximum Pressure	213PSI
Design Temperature	212°F



No.	Desc.	No.	Desc.
1	Handle	11	Shell
2	Top Cover	12	Inlet
3	Vent	13	Outlet
4	O-ring	14	Basket
5	Flange	15	Support Legs
6	Spindle		
7	Swing Bolt		
8	Washer		
9	Bolt Eye		
10	Bag Plate		

Connections	
N1	2"NPTF
N2	2"NPTF
N3	1/4"NPTF
N4	1/2"NPTM
N5	1/4"NPTF
N6	1/4"NPTF

sales@ewp-usa.com
www.ewp-usa.com

904-425-8023 (FL)
 443-451-5056 (MD)

Information subject to change without notice. Correct specification information available from EWP.

04/08