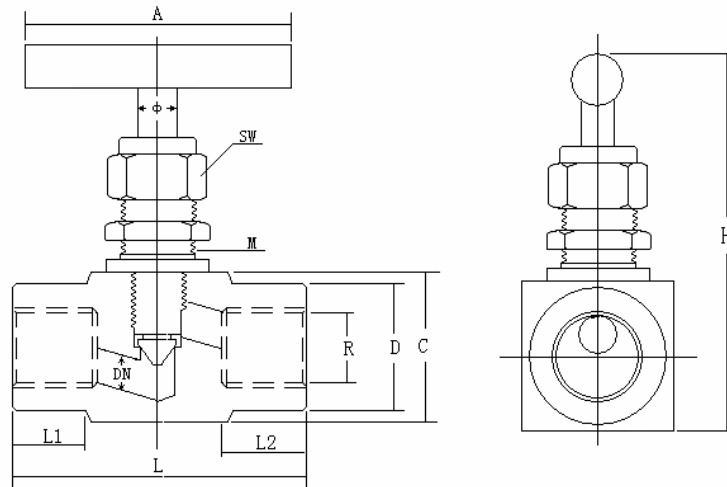




## STAINLESS STEEL NEEDLE VALVES

1/8", 1/4", 1/2", 3/4", OR 1" FNPT CONNECTIONS  
6000 PSI RATING  
PANEL MOUNT



R	DN inches	Φ inches	A inches	C inches	D inches	M inches	SW mm	L1 inches	L2 inches	L inches	H Inches
1/8"NPT	0.12	0.20	1.89	0.79	0.71	0.55	17	0.39	0.47	1.97	2.56-2.95
1/4"NPT	0.16	0.24	2.13	0.95	0.87	0.63	19	0.47	0.59	2.20	2.95-3.35
1/2"NPT	0.31	0.31	2.28	1.26	1.18	0.79	24	0.59	0.71	2.52	3.30-3.78
3/4"NPT	0.35	0.31	2.44	1.42	1.34	0.79	24	0.59	0.77	2.60	3.46-3.94
1"NPT	0.47	0.39	2.60	1.73	1.65	0.95	27	0.59	0.87	2.83	3.70-4.17

Needle Valve	Material	
6000 PSI -60° F - 400° F	Valve Body	316SS
	Valve Stem	316SS
	Needle	316SS
	Gland Nut	316SS
	Filling Material	PTFE
	Check Nut	304SS
	Handle	304SS

Flow Data	Cv value	Full Flow GPM
1/8"NPT		
1/4"NPT		
1/2"NPT	1.05	9
3/4"NPT	1.28	11
1"NPT	2.09	18

**Southeast (FL)**  
T 904-425-8023  
F 904-425-8024  
[jireland@ewp-usa.com](mailto:jireland@ewp-usa.com)

**Warehouse:**  
Jacksonville, FL  
[sales@ewp-usa.com](mailto:sales@ewp-usa.com)

**Northeast (MD)**  
T 443-451-5056  
F 443-451-4378  
[jarmon@ewp-usa.com](mailto:jarmon@ewp-usa.com)