



Environmental World Products LLC

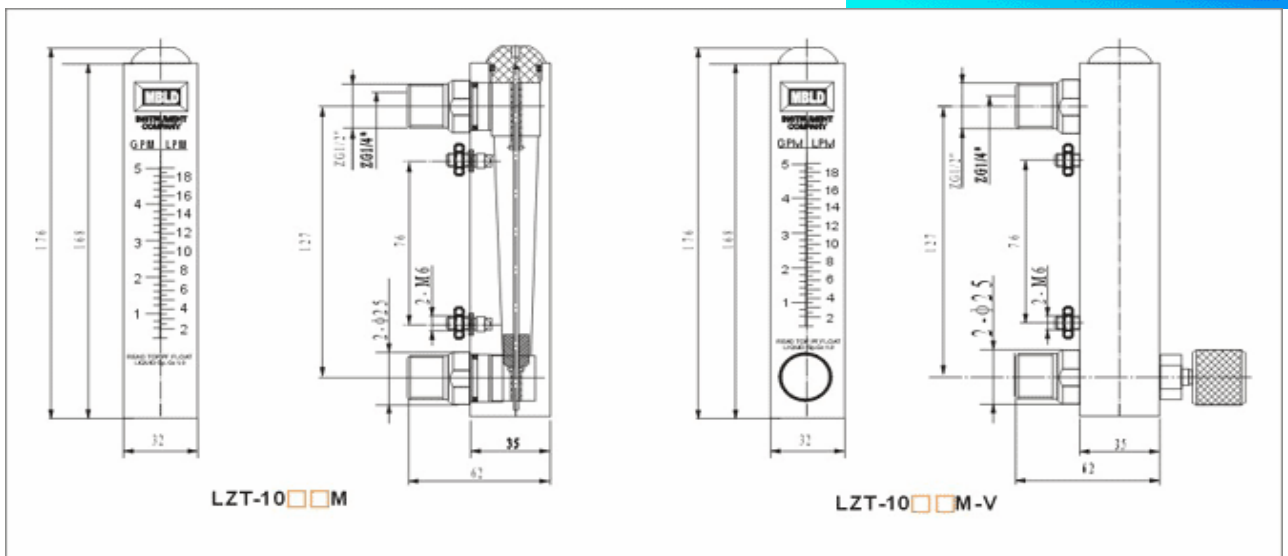
[www.ewp-usa.com](http://www.ewp-usa.com)

Your Source for Commercial and Industrial RO Components

LZT-10 PANEL MOUNT FLOWMETERS

| Model       | Range                 | Medium | Remarks       |
|-------------|-----------------------|--------|---------------|
| LZT-1001M   | 0.1 ~ 1GPM/0.5 ~ 4LPM | Water  | Without Valve |
| LZT-1002M   | 0.2 ~ 2GPM/1 ~ 7LPM   |        |               |
| LZT-1005M   | 0.5 ~ 5GPM/2 ~ 18LPM  |        |               |
| LZT-1001M-V | 0.1 ~ 1GPM/0.5 ~ 4LPM |        | With valve    |
| LZT-1002M-V | 0.2 ~ 2GPM/1 ~ 7LPM   |        |               |
| LZT-1005M-V | 0.5 ~ 5GPM/2 ~ 18LPM  |        |               |

Standard models have 1/2" NPT connections and no valve



Southeast (FL) Office  
 T: 904-425-8023  
 F: 904-425-8024  
[jireland@ewp-usa.com](mailto:jireland@ewp-usa.com)

Northeast/Midwest (MD) Office  
 T: 443-451-5056  
 F: 443-451-4378  
[jarmon@ewp-usa.com](mailto:jarmon@ewp-usa.com)

Warehouse: Jacksonville, FL 32207