



Environmental World Products LLC

www.ewp-usa.com

Your Source for Commercial and Industrial RO Components

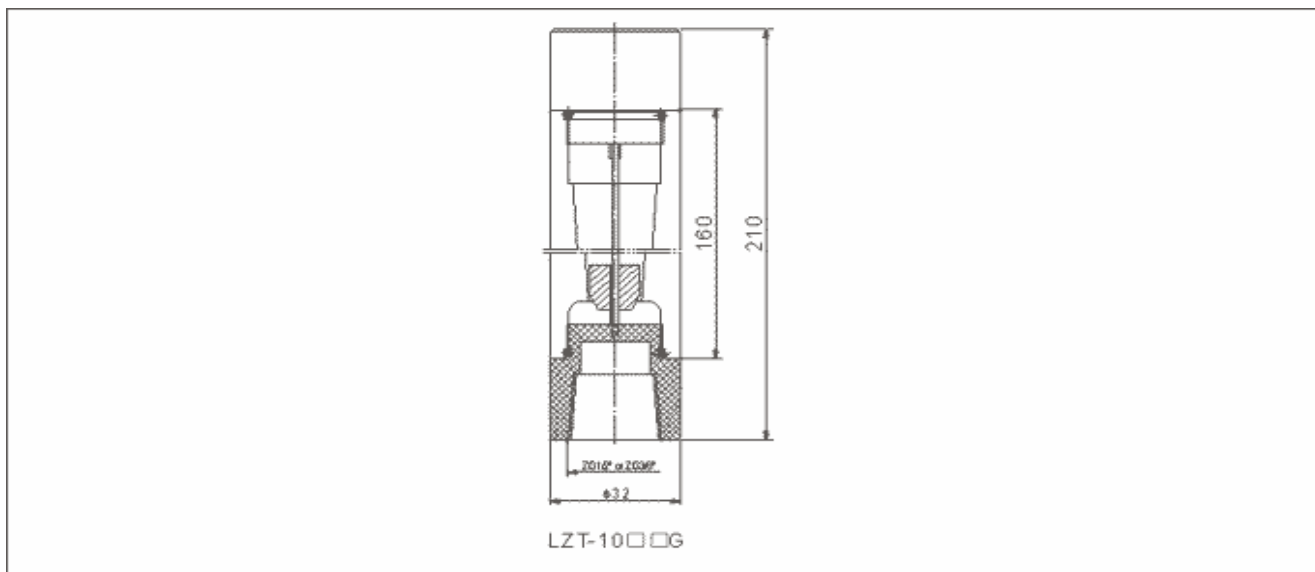
LZT-25 IN-LINE FLOWMETERS

Model	Range	Medium	Remarks
LZT-2510G	1~10 GPM/5~35LPM	Water	Circular
LZT-2516G	2~16 GPM/4~60LPM		
LZT-2520G	2~20 GPM/10~70LPM		
LZT-2510G-S	1~10 GPM/5~35LPM		Square
LZT-2516G-S	2~16 GPM/4~60LPM		
LZT-2520G-S	2~20 GPM/10~70LPM		

Standard models are 1"NPT, square with white backing.



Dimensions, mm



Southeast (FL) Office
 T: 904-425-8023
 F: 904-425-8024
 jireland@ewp-usa.com

Northeast/Midwest (MD) Office
 T: 443-451-5056
 F: 443-451-4378
 jlarmon@ewp-usa.com

Warehouse: Jacksonville, FL 32207