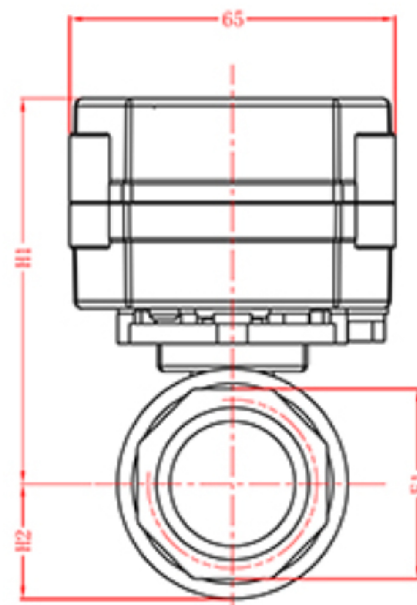
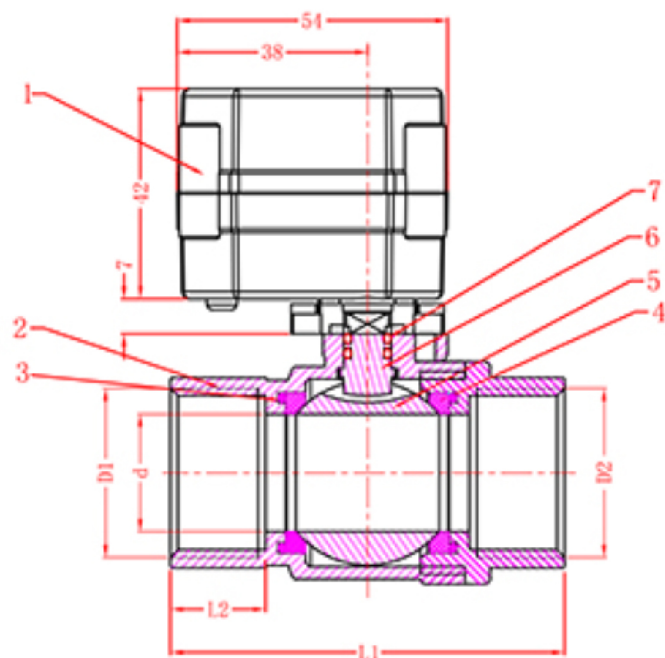


PART CODE :



7	O-ring	FKM		2	
6	Stem	Brass		2	
5	Ball	SS304		1	
4	Sealing	PTFE		2	
3	O-ring	FKM		2	
2	Body Cover	Brass		1	
1	Actuator	PPO		1	
No.	Name	Material		Quantity	

32-B2-C	1-1/4"	29	80	15	46	93	27
32-B2-C	1 1/4"	25	79	18	46	78	25
25-B2-C	1"	24	71	15	38	76	22
20-B2-C	3/4"	20	66	14	31	74	19
15-B2-C	1/2"	15	56	12	25	71	16
10-B2-C	3/8"	10	49	12	20.5	68	12
8 -B2-C	1/4"	8	49	12	20.5	68	12
Description		d	L1	L2	E1	H1	H2

MATERIAL		DRN & DATE	2020/5/11	A20 Electric valve	MODEL NO
QTY/SET		CHK & DATE			
FINISH		APPD & DATE	2020/5/11		
TREATMENT		SCALE			
COLOUR		UNIT	MM	DRG NO/PDO REF NO	SHEET NO
				ISSUE	