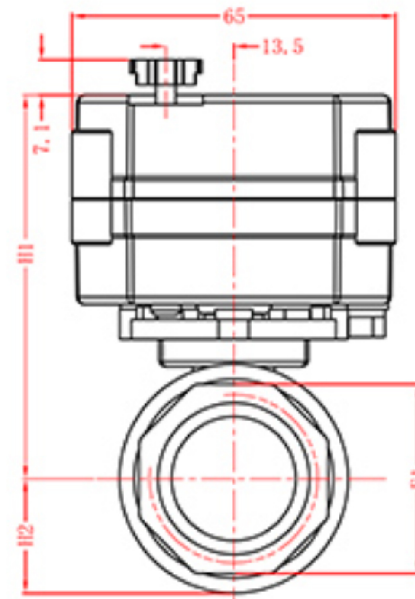
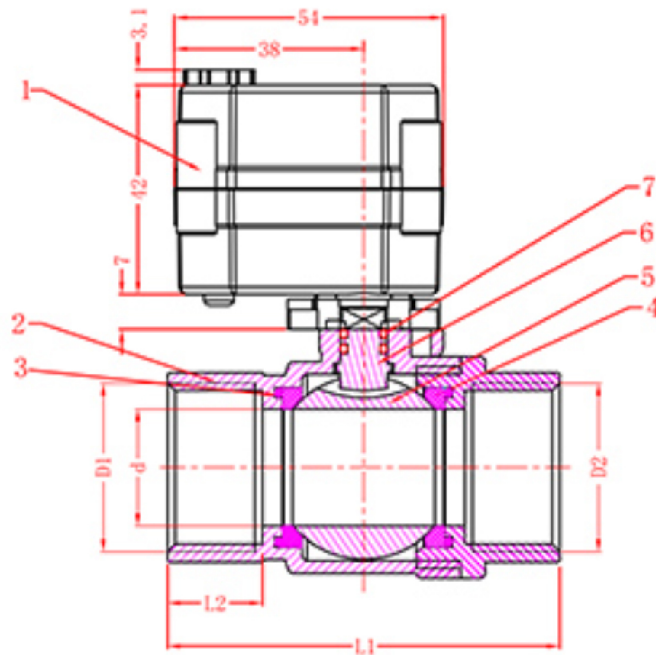


PART CODE :



No.	Name	Material	Quantity
7	O-ring	FKM	2
6	Stem	Brass	2
5	Ball	SS304	1
4	Sealing	PTFE	2
3	O-ring	FKM	2
2	Body Cover	Brass	1
1	Actuator	PPO	1

Description	d	L1	L2	E1	H1	H2
32-B2-B	1-1/4"	29	80	15	46	93
32-B2-B	1-1/4"	25	79	18	46	78
25-B2-B	1"	24	71	15	38	76
20-B2-B	3/4"	20	66	14	31	74
15-B2-B	1/2"	15	56	12	25	71
10-B2-B	3/8"	10	49	12	20.5	68
8-B2-B	1/4"	8	49	12	20.5	68

MATERIAL	DRN & DATE	TITLE	MODEL NO
QTY/SET	2020/5/11	A20 Electric valve	
FINISH	CHK & DATE		
TREATMENT			
COLOUR	APPD & DATE		
UNIT	2020/5/11		
	SCALE		
		DRG NO/P00 REF NO	ISSUE