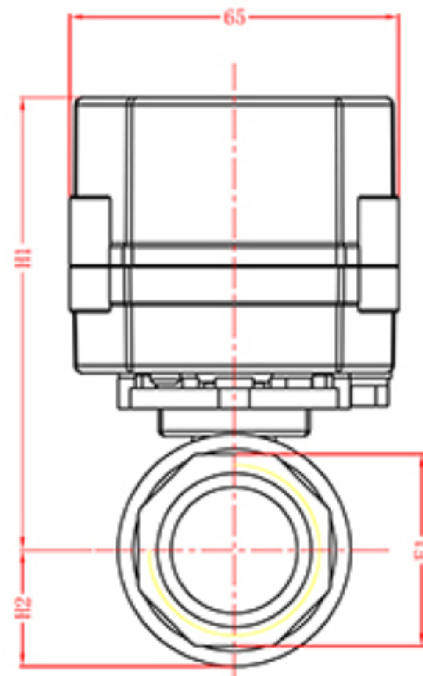
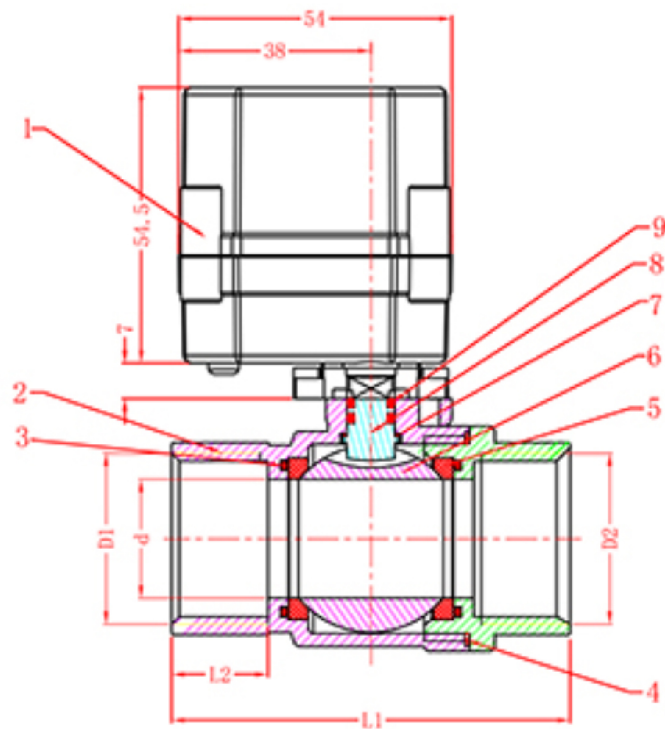


PART CODE :



No.	Name	Material	Specification	Quantity
9	O-ring	FKM		2
8	Stem	Stainless Steel	304	1
7	Gasket	PTFE		1
6	Ball	Stainless Steel	304	1
5	Sealing	PTFE		2
4	Sealing	PTFE		1
3	O-ring	FKM		2
2	Body Cover	Stainless Steel	304	1
1	Actuator	PPO		1

25-S2-C-II	1"	25	81	18	38	90	24.5
20-S2-C-II	3/4"	20	72	17	31	88	20
15-S2-C-II	1/2"	15	62	14	25	84.5	17
10-S2-C-II	3/8"	10	51	12	21	82.5	14
8 -S2-C-II	1/4"	8	51	12	21	82.5	14
Description	D1/D2	d	L1	L2	E1	H1	H2

MATERIAL	DRN & DATE	<p style="text-align: center;">A20 Electric valve</p>	MODEL NO
QTY/SET	2019/10/29		
FINISH	CHK & DATE		
TREATMENT			
COLOUR	APPO & DATE		
UNIT	MM		SHEET NO
SCALE			ISSUE
			DRG NO/PDO REF NO